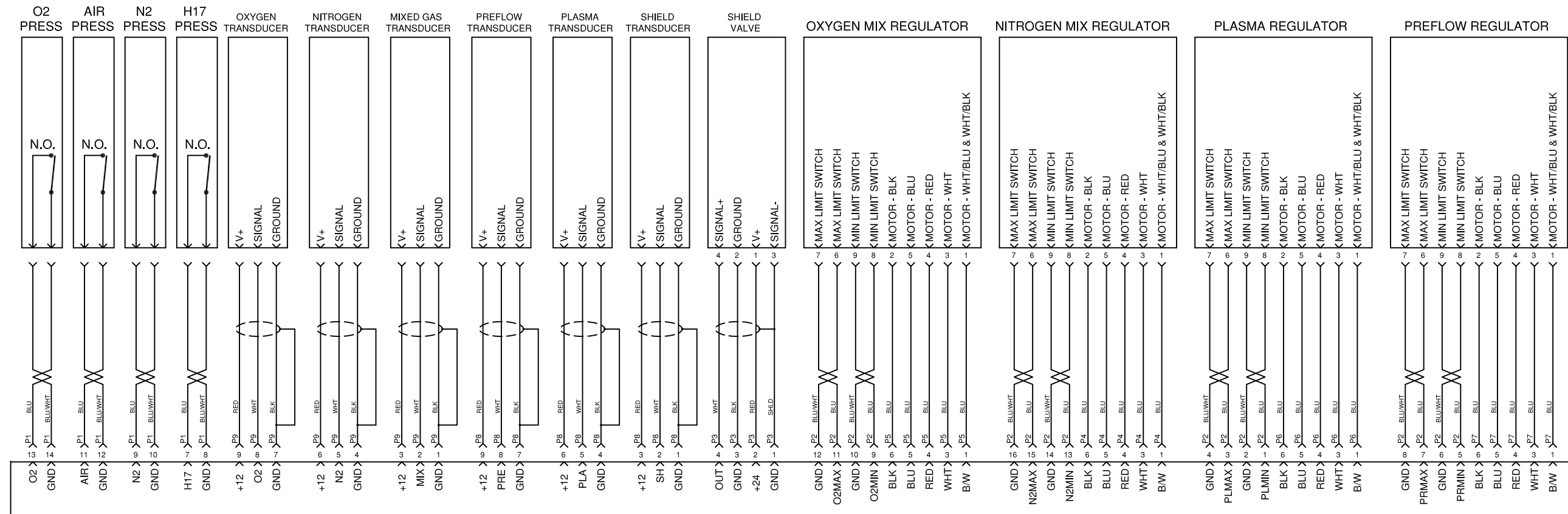
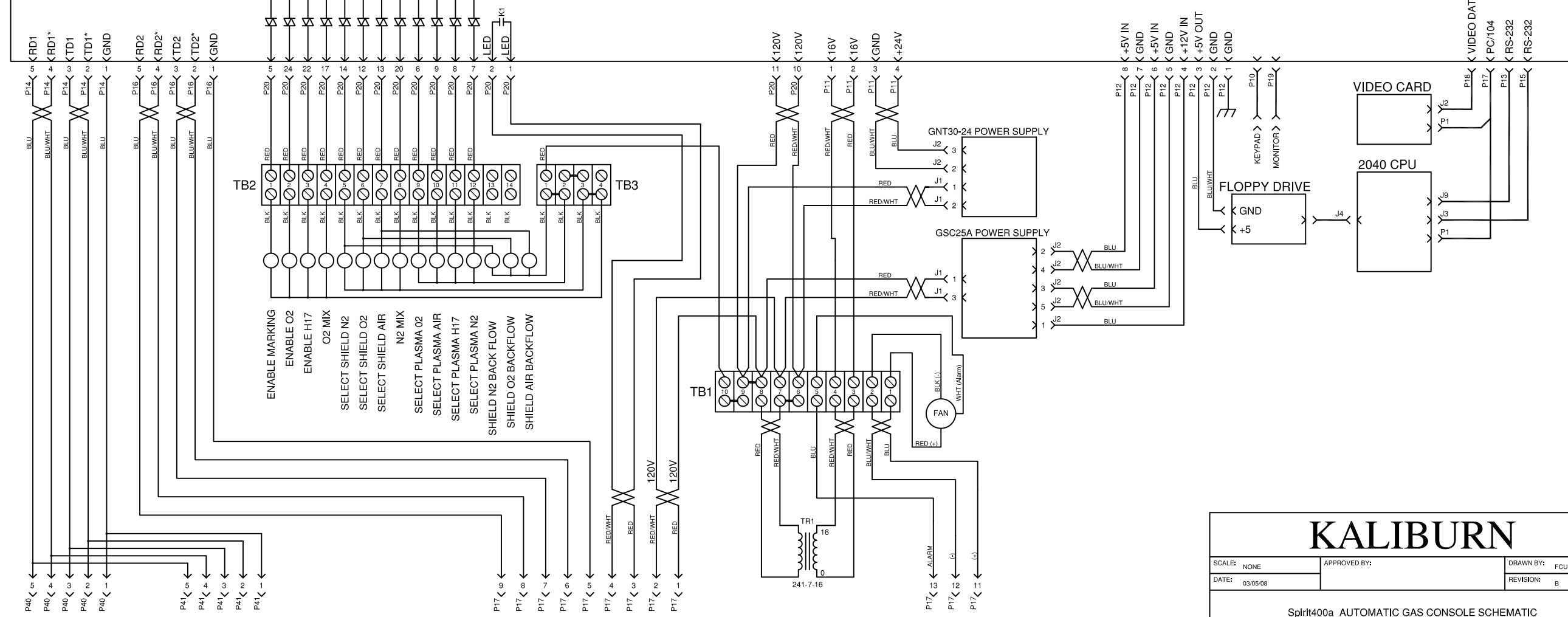


<b>KALIBURN</b>		
SCALE: NONE	APPROVED BY:	DRAWN BY: JLW
DATE: 1/21/08		REVISION: E
Spirit400a SYSTEM SCHEMATIC - SHEET 1 OF 2 (460V THREE PHASE SHOWN)		
TOLERANCE: .XX .XXX ANGLE		DRAWING NUMBER: D284000





AGC I/O PC BOARD



<h1>KALIBURN</h1>		
SCALE: NONE	APPROVED BY:	DRAWN BY: FCU
DATE: 03/05/08		REVISION: B
Spirit400a AUTOMATIC GAS CONSOLE SCHEMATIC		
TOLERANCE: .XX .XXX ANGLE	DRAWING NUMBER: D284001	